



常熟科新自动化设备有限公司
CHANGSHU KEXIN AUTOMATION EQUIPMENT CO., LTD.

Changshu Kexin Automation Equipment Co., Ltd.
atpneumaticactuator.com

AT series double acting and single acting spring return pneumatic rotary actuator for valves

Our Product Introduction

for more products please visit us on atpneumaticactuator.com

Basic Information

- Place of Origin: Jiangsu, China
- Brand Name: AT,OEM
- Certification: CE,ATEX,ISO,SGS
- Model Number: DA,SR
- Minimum Order Quantity: 20
- Packaging Details: 1) foam packing inside,one carton box outside 2) then put all carton box in one strong plywood case for sea transport
- Delivery Time: 3-15days
- Supply Ability: 5000 sets per month



Product Specification

- Material: Extruded Aluminum Alloy
- Colour: Black, Gray, Blue, Or As Customers' Requirement
- Application: Ball Valve, Butterfly Valve
- Connection: ISO 5211,DIN 3337
- Structure: Rack And Pinion
- Type: Double Action And Single Action



More Images



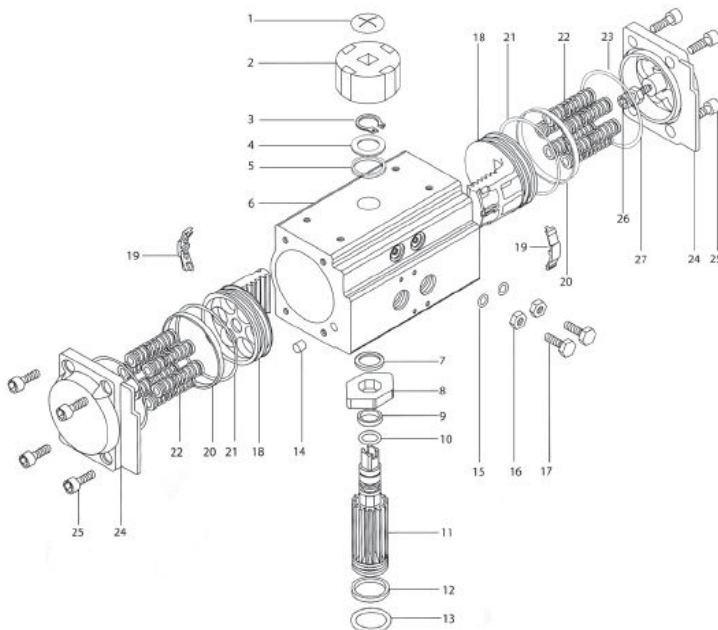
Product Description

AT series double acting and single acting spring return pneumatic rotary actuator for valves

Pneumatic Actuator

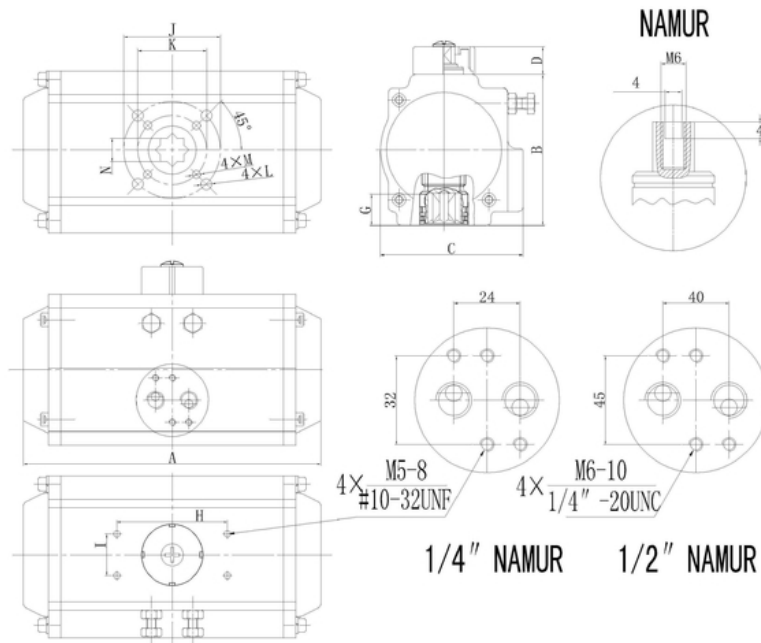
Material	Extruded Aluminum alloy
Rotary Angle	0~90 degree
Structure	rack and pinion rotary actuator
Working Pressure	2~8bar
Surface Treatment	hard anodizing
Working Temperature	Normal Temperature: -20°C(-4°F) ~ 80°C (+176°F);
	High Temperature: -15°C(+5°F) ~ 150°C (+302°F);
	Low Temperature: -40°C(-104°F) ~ 80°C (+176°F).
Connection	NAMUR, ISO5211 and DIN3337
Application	ball valve, butterfly valve, and rotary machine
Cup Color	grey, black, sky blue, dark blue, red, orange

Main Features



1. Dual piston rack and pinion design for compact construction, symmetric mounting position, high-cycle life and fast operation, reverse rotation can be accomplished in the field by simply inverting the pistons.
2. Multiple bearings and guides on racks and pistons, low friction, high cycle life and prevent shaft blowout.
3. Modular preloaded spring cartridge design with coated spring for simply versatile range, greater safety and corrosion resistance, longer cycle life.
4. Fully machined teeth on piston and pinion for accurate low backlash rack and pinion engagement, maximum efficiency.
5. Stainless steel fasteners for long term corrosion resistance.
6. Full conformance to the latest specification; ISO5211, DIN3337 and Namur or product interchangeability and easy mounting of solenoids, limit switches and other accessories.

Pneumatic Actuator Dimension



Model	A	B	C	D	H×I	G	N	J	K	L	M	Air connection
AT032	110	45	45	20	50×25	12	9	Æ36		M5×7.5		G1/8"
AT040	122	60	65	20	80×30	14	11	Æ50	Æ36	M6×10	M5×7.5	NAMUR G1/4"
AT052	147	72	72	20	80×30	14	11	Æ50	Æ36	M6×10	M5×7.5	NAMUR G1/4"
AT063	172	88	83	20	80×30	18	14	Æ70	Æ50	M8×13	M6×10	NAMUR G1/4"
AT075	184	100	95	20	80×30	20	14	Æ70	Æ50	M8×13	M6×10	NAMUR G1/4"
AT083	204	109	103	20	80×30	21	17	Æ70	Æ50	M8×13	M6×10	NAMUR G1/4"
AT092	262	117	109	20	80×30	22	17	Æ70	Æ50	M8×13	M6×10	NAMUR G1/4"
AT105	268	133	121	20	80×30	26	22	Æ102	Æ70	M10×16	M8×13	NAMUR G1/4"
AT125	301	155	143	20	80×30	27	22	Æ102	Æ70	M10×16	M8×13	NAMUR G1/4"
AT140	394	173	152	20	80×30	32	27	Æ125	Æ102	M12×20	M10×16	NAMUR G1/4"
AT160	458	198	174	20	80×30	34	27	Æ125	Æ102	M12×20	M10×16	NAMUR G1/4"
AT190	528	232	206	30	130×30	40	36	Æ140		M16×24		NAMUR G1/4"
AT210	532	257	226	30	130×30	40	36	Æ140		M16×24		NAMUR G1/4"
AT240	660	291	260	30	130×30	50	46	Æ165		M20×25		NAMUR G1/4"
AT270	740	330	294	30	130×30	50	46	Æ165		M20×25		NAMUR G1/2"
AT300	798	354	336	30	130×30	60	46	Æ165		M20×25		NAMUR G1/2"
AT350	880	408	385	30	130×30	60	46	Æ165		M20×25		NAMUR G1/2"
AT400	950	464	516	30	130×30	60	55	Æ254	Æ165	8-M16×25	M20×25	NAMUR G1/2"

Product Application

AT series Pneumatic Actuator is made of dual pistons driven by racks and pinions. There are two models. One is Dual Acting model, and the other is Spring Return model, which can suit various flammable, corrosive, dusty, strong magnetic field, radiation, vibration corrosive environment indoor or outdoor.

Auto-control in the field of electric power, petrochemical, metallurgy, petroleum, gas, town, construction, drainage, chemical industry, oil refining, mining, power plant, metallurgy, architecture, medicine, food, gas, scientific research, etc.



Contact us

Moble: +86 13921532524 Wechat:wxy871031

Skype: snow870909

Mail:: snow0909@hotmail.com



Changshu Kexin Automation Equipment Co., Ltd.



+8613921532524



snow0909@hotmail.com



atpneumaticuator.com

No.25 Yingbin Road,Bixi New District,Changshu City,Jiangsu Province